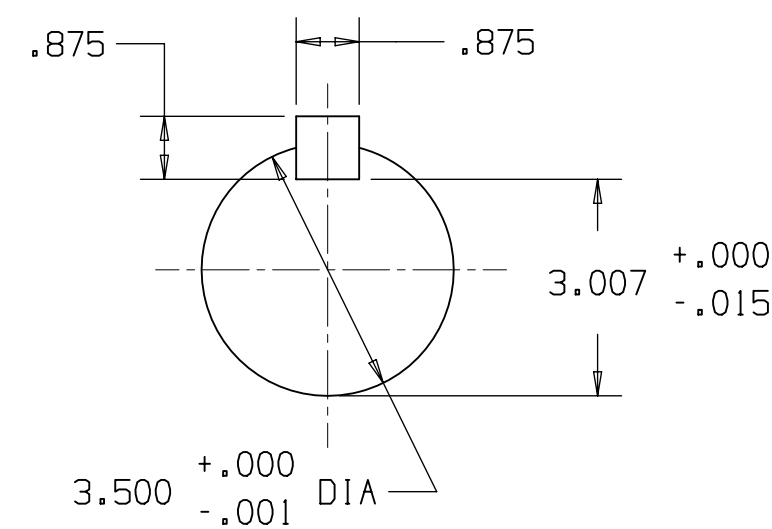
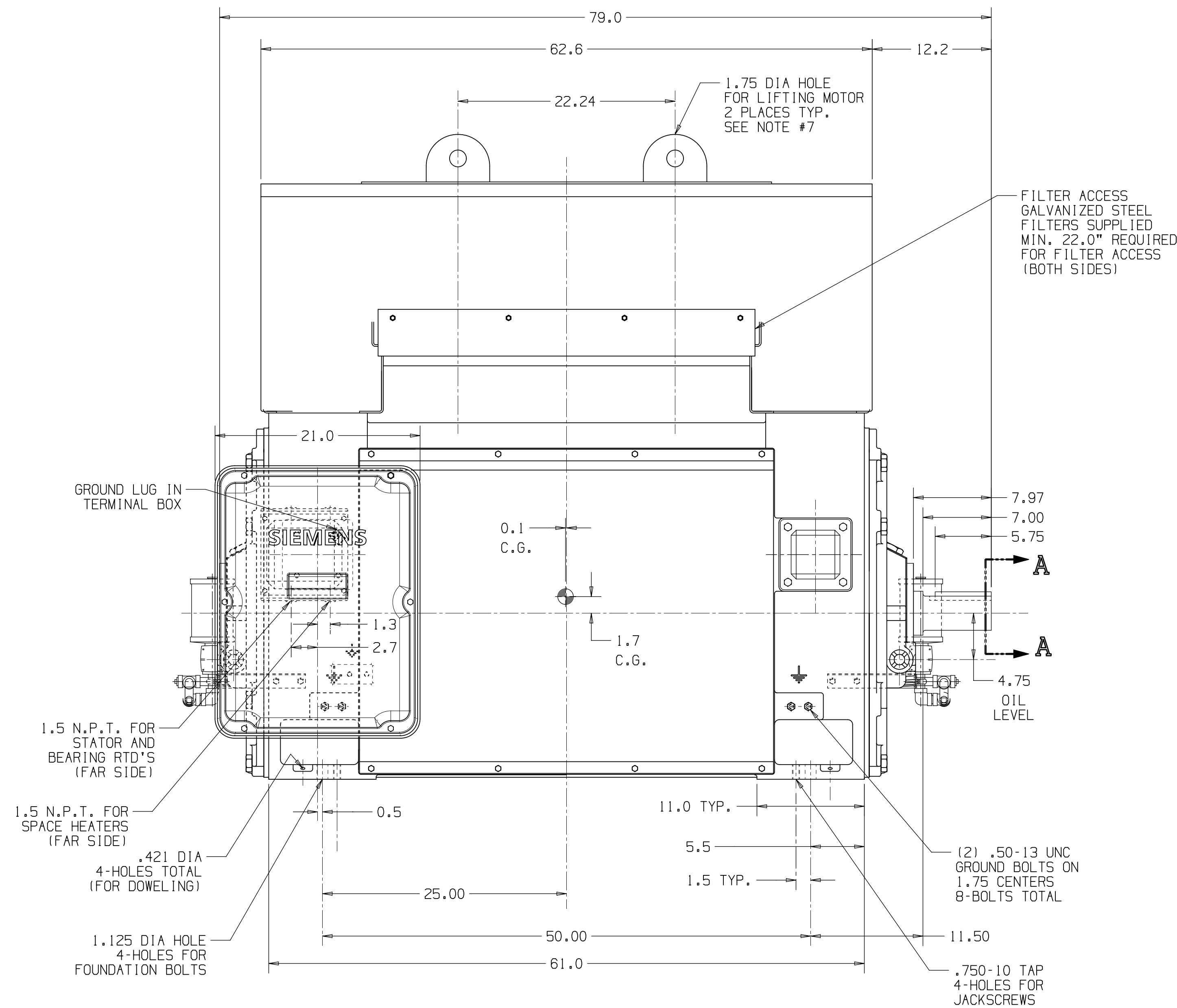


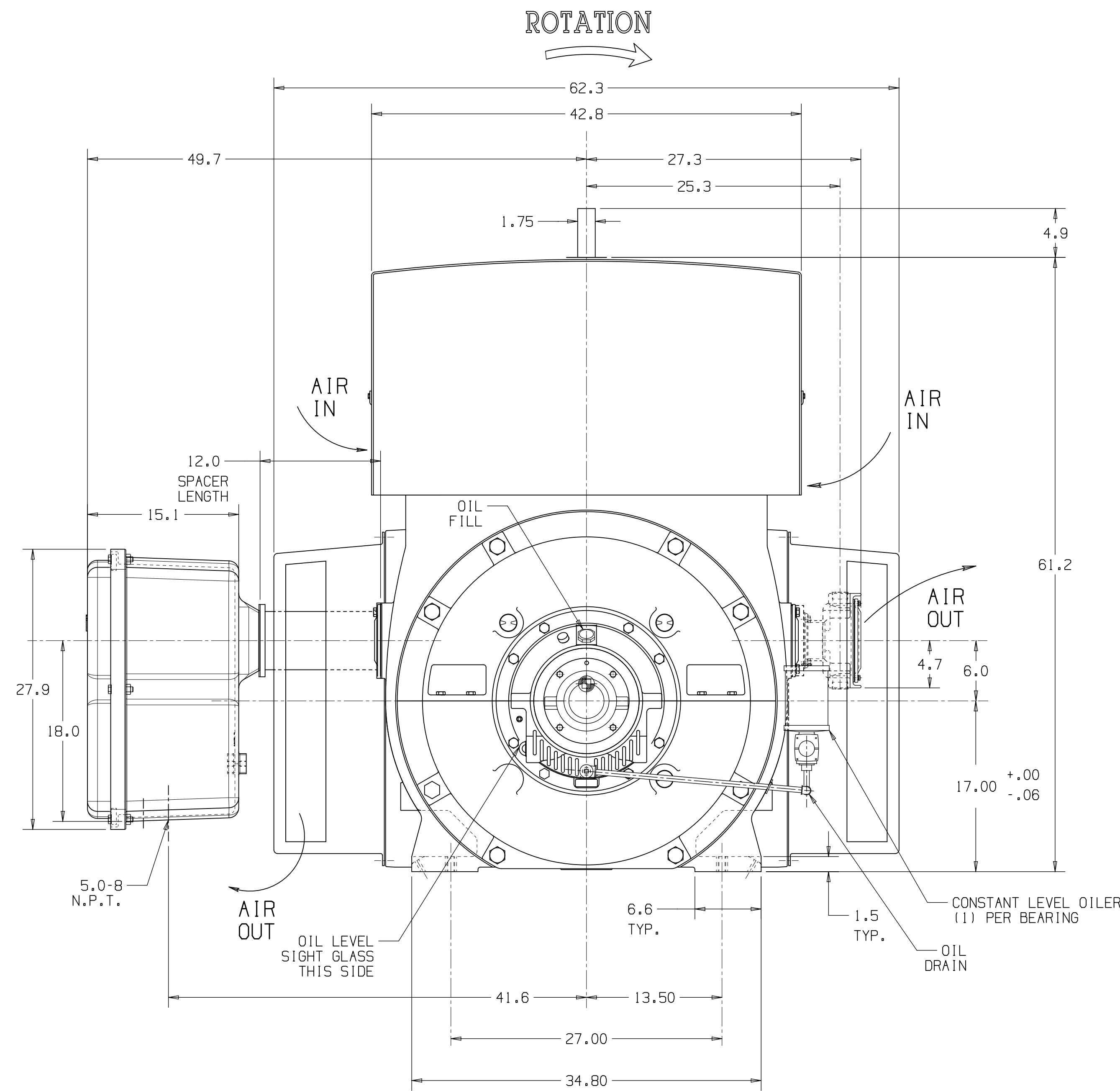
NOTES:

1. MAIN TERMINAL BOX MAY BE ROTATED IN STEPS OF 90°.
2. APPROXIMATE WEIGHT OF MOTOR: 11,450#
3. APPROXIMATE WEIGHT OF ROTOR: 1,749#
4. THIS MOTOR IS SUITABLE FOR DIRECT CONNECTION ONLY. SEE ARROW ON THIS DRAWING AND ON MOTOR. OPERATION IN THE WRONG DIRECTION MAY RESULT IN OVERHEATING.
5. NON-DRIVE END BEARING IS INSULATED, INSULATE ANY CONNECTIONS TO THIS BEARING.
6. FOR DIRECT CONNECTION, SHIMS MAY BE NECESSARY UNDER MOTOR FEET.
7. WHEN LIFTING MOTOR, LIFT BY LIFTING BOTH LUGS AT THE SAME TIME. ALWAYS USE A SPREADER OF SIZE THAT RESULTS IN A VERTICAL LIFT AT EACH LIFT POINT.

MOTOR DATA:
 ROTOR END FLOAT = .50"
 END FLOAT OF LTD END FLOAT CPLG = .19"
 OIL CAPACITY PER BEARING = 3.0 QT.
 USE A HIGH QUALITY TURBINE OIL HAVING A VISCOSITY OF 140 TO 160 SUS @ 100°F (150 VG 32)
 MAXIMUM DIA. OF SHAFT LATHE CENTERS = 1.39"
 FOR SAFETY PROCEDURES AND ALIGNMENT REQUIREMENTS, SEE INSTRUCTION MANUAL.



SECTION A-A



| | | | | | | | | | |
|--|------|-------|------|-----------|----|----|--|--|--|
| SIEMENS CERTIFIED PRINT CUSTOMER INITIATED CHANGES MAY AFFECT PRICE AND DELIVERY PRODUCTION WILL PROCEED ON THE BASIS OF THIS DRAWING | | | | | | | | | |
| CUSTOMER EAST COAST ELECTRICAL | | | | | | | | | |
| P.O.# 16692 | | | | | | | | | |
| S.O.# 3006855283-10,20 | | | | | | | | | |
| HP | RPM | FRAME | TYPE | VOLTS | PH | Hz | | | |
| 3000 | 3600 | 6811 | CG11 | 2300/4000 | 3 | 60 | | | |

| | | | | |
|-------------------------------|--------------|------------------------------------|-----------------|--------------------|
| Similar to A5E3952801A | Author Reiss | Material | Weight 0 | Scale 1/8" = 1'-0" |
| Created 2017-11-22 | Reis | OUTLINE.1RP2.HL.6811.2.SB.F1.CW.C3 | | |
| Approved 2017-11-22 | Reis | | | |
| Department PD LD AP ME-NOW EN | | | | |
| Change Order PSA00249759 | | | | |
| Doc. No. 001 | Index AA | Item No. A5E43558751A | 1st Language en | 2nd Language de |
| Revision | | | Sheet 1 of 2 | |



© SIEMENS INDUSTRY INC 2017

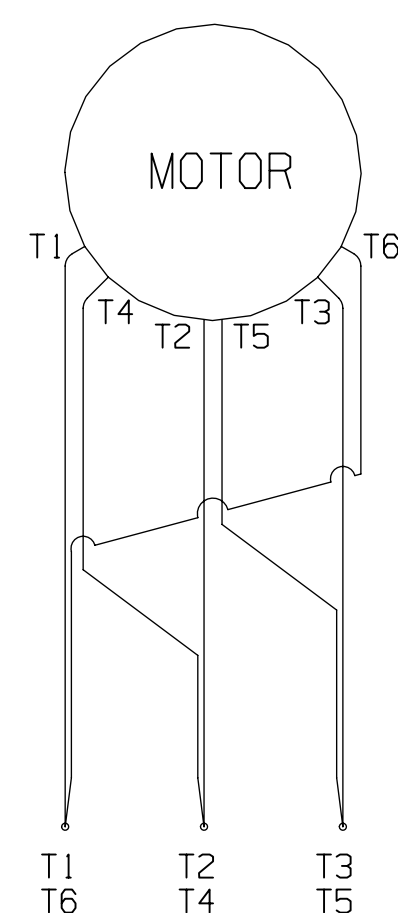
| FOUNDATION LOADING | | | |
|-----------------------|------------------|---|----------|
| LOADING CONDITIONS | LOADING PER SIDE | | |
| STATIC: | 5725 | ± | 5725 lbs |
| RATED TORQUE: | 5725 | ± | 1954 lbs |
| LOCKED ROTOR TORQUE: | 5725 | ± | 1446 lbs |
| BREAK DOWN TORQUE: | 5725 | ± | 4982 lbs |
| SHORT CIRCUIT TORQUE: | 5725 | ± | 9398 lbs |

| RTD ALARM/SHUTDOWN DATA | | |
|-------------------------|-------|----------|
| | ALARM | SHUTDOWN |
| STATOR | 155°C | 170°C |
| BEARING | 100°C | 105°C |

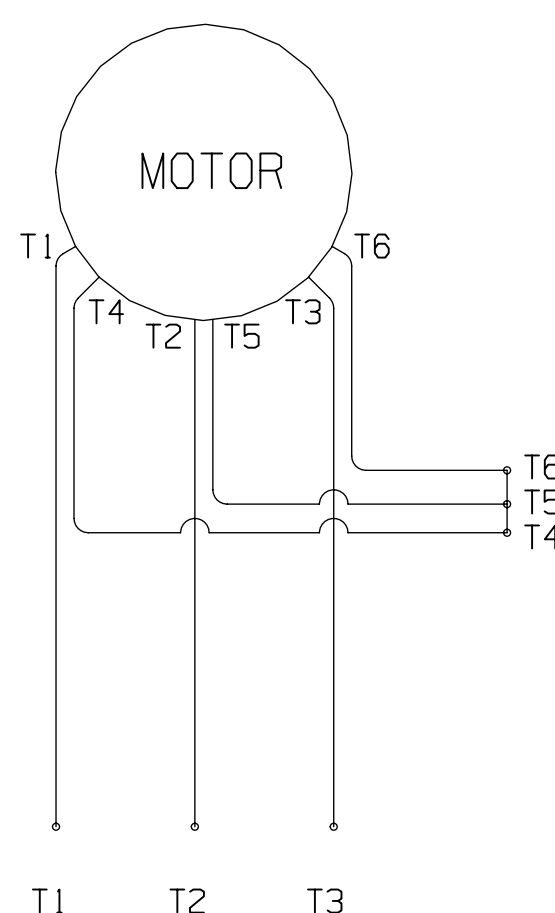
STATOR RTD
SLOT AND PHASE LOCATION

| | SLOT | PHASE |
|-----|------|-------|
| PR1 | 1 | A |
| PR2 | 10 | B |
| PR3 | 19 | C |
| PR4 | 28 | A |
| PR5 | 37 | B |
| PR6 | 46 | C |

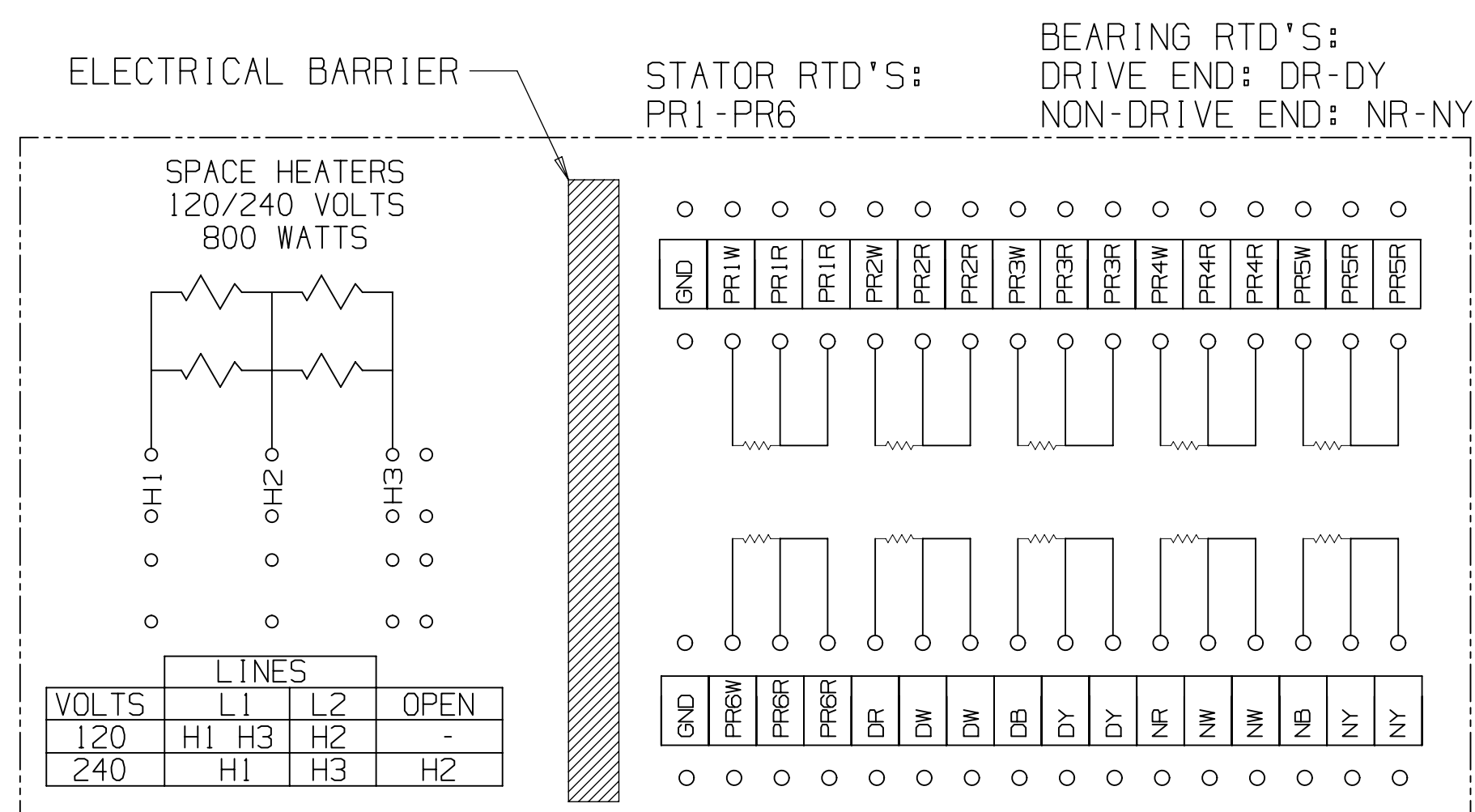
SLOT #1 IS IN 12 O'CLOCK POSITION. SLOTS COUNTED CLOCKWISE FACING CONN. END



MOTOR CONNECTION DIAGRAM (LOW VOLTAGE)



MOTOR CONNECTION DIAGRAM (HIGH VOLTAGE)



TERMINAL BOARD ARRANGEMENT IN AUXILIARY BOX FOR SPACE HEATERS, 100-OHM STATOR AND BEARING RTD'S

SIEMENS CERTIFIED PRINT
CUSTOMER INITIATED CHANGES MAY AFFECT PRICE AND DELIVERY PRODUCTION WILL PROCEED ON THE BASIS OF THIS DRAWING

CUSTOMER: EAST COAST ELECTRICAL
P.O.#: 16692
S.O.#: 3006855283-10,20

| | | | | | | |
|------|------|-------|------|-----------|----|----|
| HP | RPM | FRAME | TYPE | VOLTS | PH | Hz |
| 3000 | 3600 | 6811 | CG11 | 2300/4000 | 3 | 60 |

| | | | | |
|--------------------------------|--------------------|------------------------------------|-------------------|------------------|
| Reference | Surface | Material | Weight | Scale |
| Similar to ASE39528011A | | | 0 | 1/8" = 1" |
| Author | Revis | OUTLINE_1RP2_H_6811_2_SB_F1_CW_C13 | | |
| Creator: 2017-11-22 Reis | | | | |
| Approval: 2017-12-01 Dufau | | | | |
| Department: PD LD AP MF-NOW EN | | | | |
| Change Order: PSA00249759 | | Product MLFB/Product-ID | Doc Type: TB / MB | |
| Doc State: Released | | Item No | Paper Size: D | |
| Revision (Koufferl): 001 | Revision State: AA | Doc No: A5E43558751A | 1st Language: en | 2nd Language: de |
| SIEMENS INDUSTRY INC 2017 | Project No | Doc No | Sheet: 2 of 2 | |