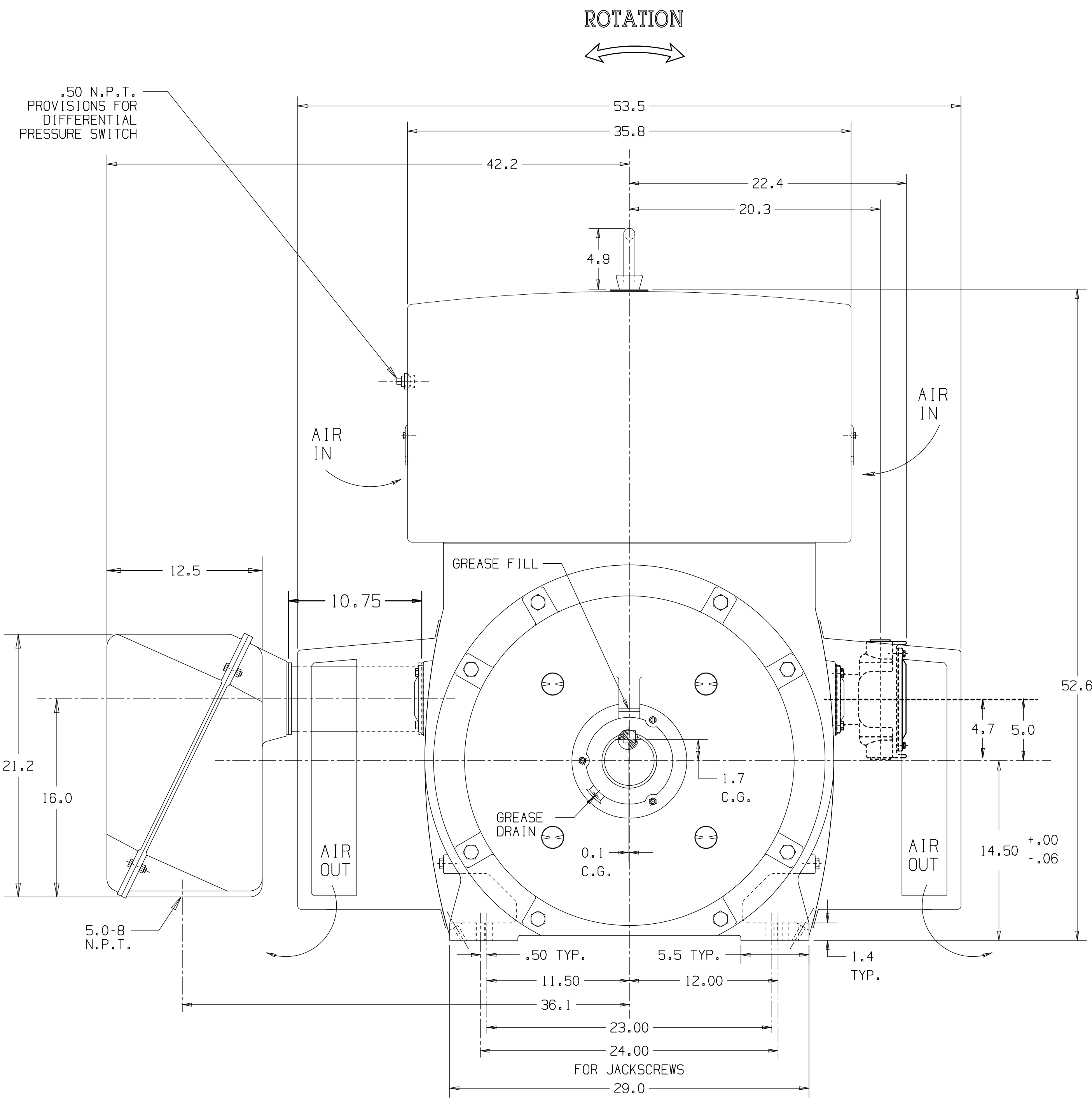
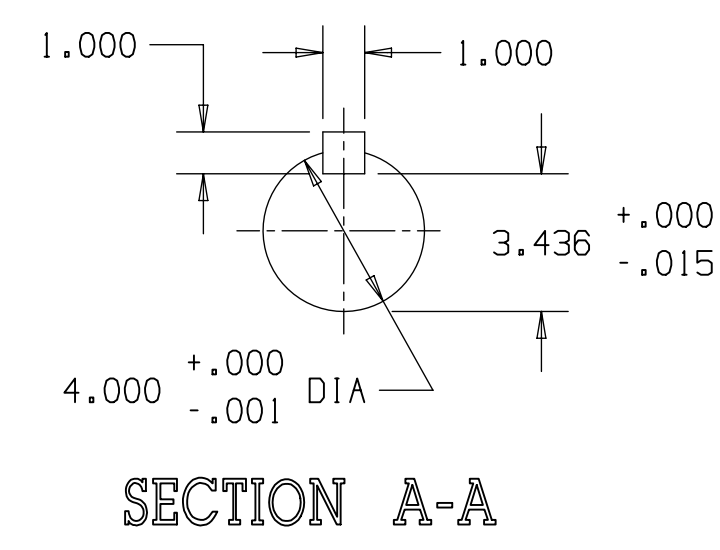
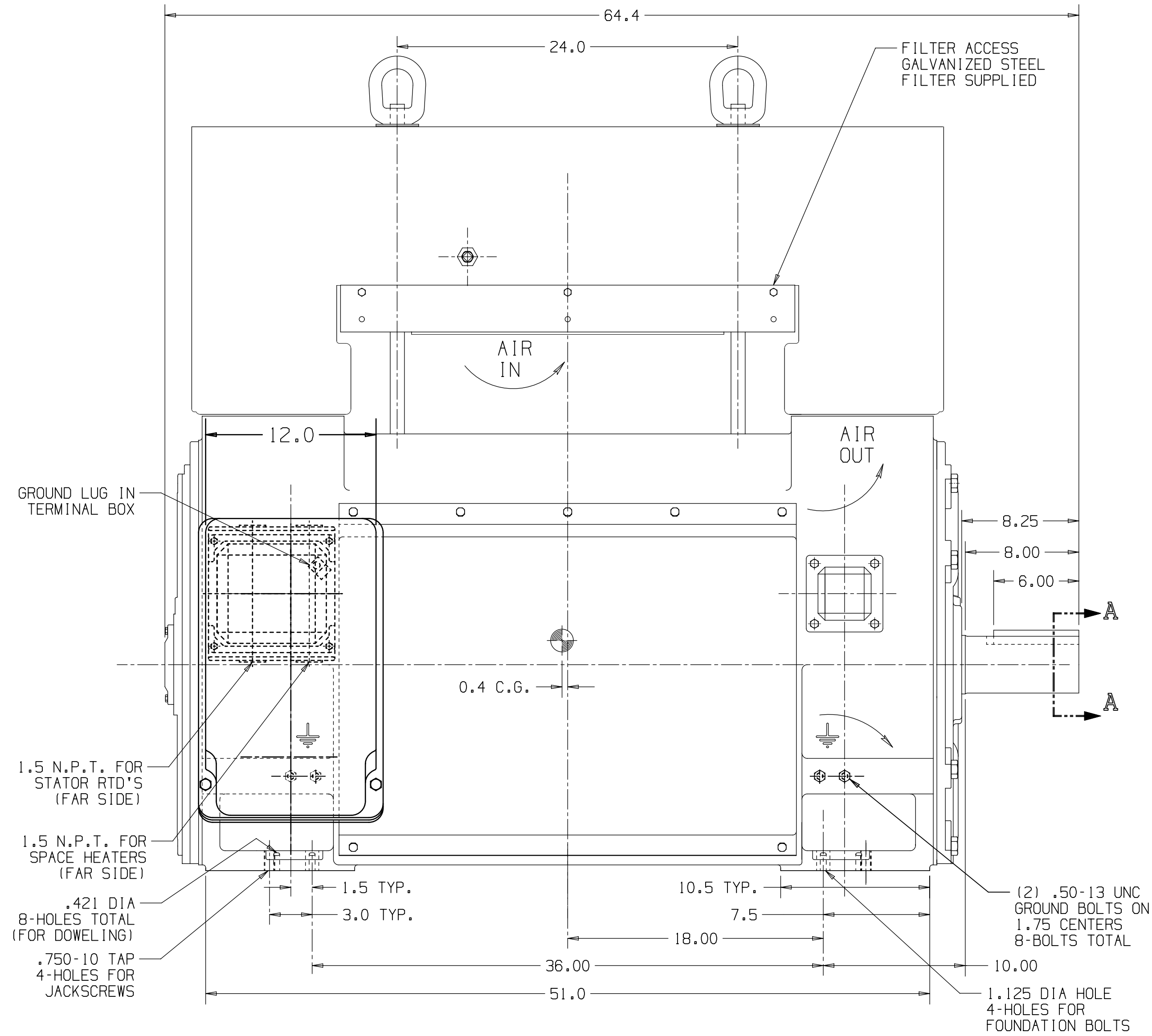


NOTES:

1. MAIN CONDUIT BOX MAY BE ROTATED IN STEPS OF 90°.
2. APPROXIMATE WEIGHT OF MOTOR: 6,800#. APPROXIMATE WEIGHT OF ROTOR: 1,348#
3. THIS MOTOR IS SUITABLE FOR DIRECT CONNECTION ONLY.
4. ALTHOUGH A SINGLE DIRECTION OF ROTATION IS SHOWN HERE AS REQUESTED, THIS MOTOR IS SUITABLE FOR ROTATION IN EITHER DIRECTION.
5. FOR RELUBRICATION OF BEARINGS, SEE LUBRICATION PLATE ON MOTOR.
6. NON-DRIVE END BEARING IS INSULATED, INSULATE ANY CONNECTIONS TO THIS BEARING.
7. BEARINGS SPECIFIED: DRIVE END: #6222 (110BC02J3)
NON-DRIVE END: #6222 (110BC02J3)
8. SHIMS MAY BE NECESSARY UNDER MOTOR FEET FOR DIRECT CONNECTION.
9. WHEN LIFTING MOTOR, LIFT BY BOTH EYE NUTS AT THE SAME TIME. ALWAYS USE A SPREADER OF A SIZE THAT RESULTS IN A VERTICAL LIFT AT EACH LIFT POINT.
10. STAINLESS STEEL SCREENS ARE PROVIDED OVER AIR INTAKE AND EXHAUST OPENINGS.



SIEMENS					
CERTIFIED PRINT CUSTOMER INITIATED CHANGES MAY AFFECT PRICE AND DELIVERY PRODUCTION WILL PROCEED ON THE BASIS OF THIS DRAWING					
CUSTOMER EAST COAST ELECTRICAL					
P.O.# 16746					
S.O.# 3006914656-10					
HP	RPM	FRAME	TYPE	VOLTS	PH
800	1200	5810S	CG11	2300/4000	3 60

Similar	Surface	Material	Weight	Scale
Similar to ASE3365884A			0	1/8" = 1'-0"
Author	Reis	OUTLINE.1RP2.H.5810.6.AF.F2.CW.C12		
Creator	2017-12-19 Reis			
Approval	2017-12-22 Dufau			
Department	PD LD AP ME-NOW EN			
Change Order	PSA00253935	PLTB	Doc Type	TB / MB
Doc. State	Released	Item No.	Paper Size	D
Revision	001	Index	RS	AA
		Doc No.	en	A5E43789779A
		Doc Language	de	
		Sheet	1 of 2	

CAD FORMAT REQUESTED: DWG DXF KAH



©SIEMENS INDUSTRY INC 2017

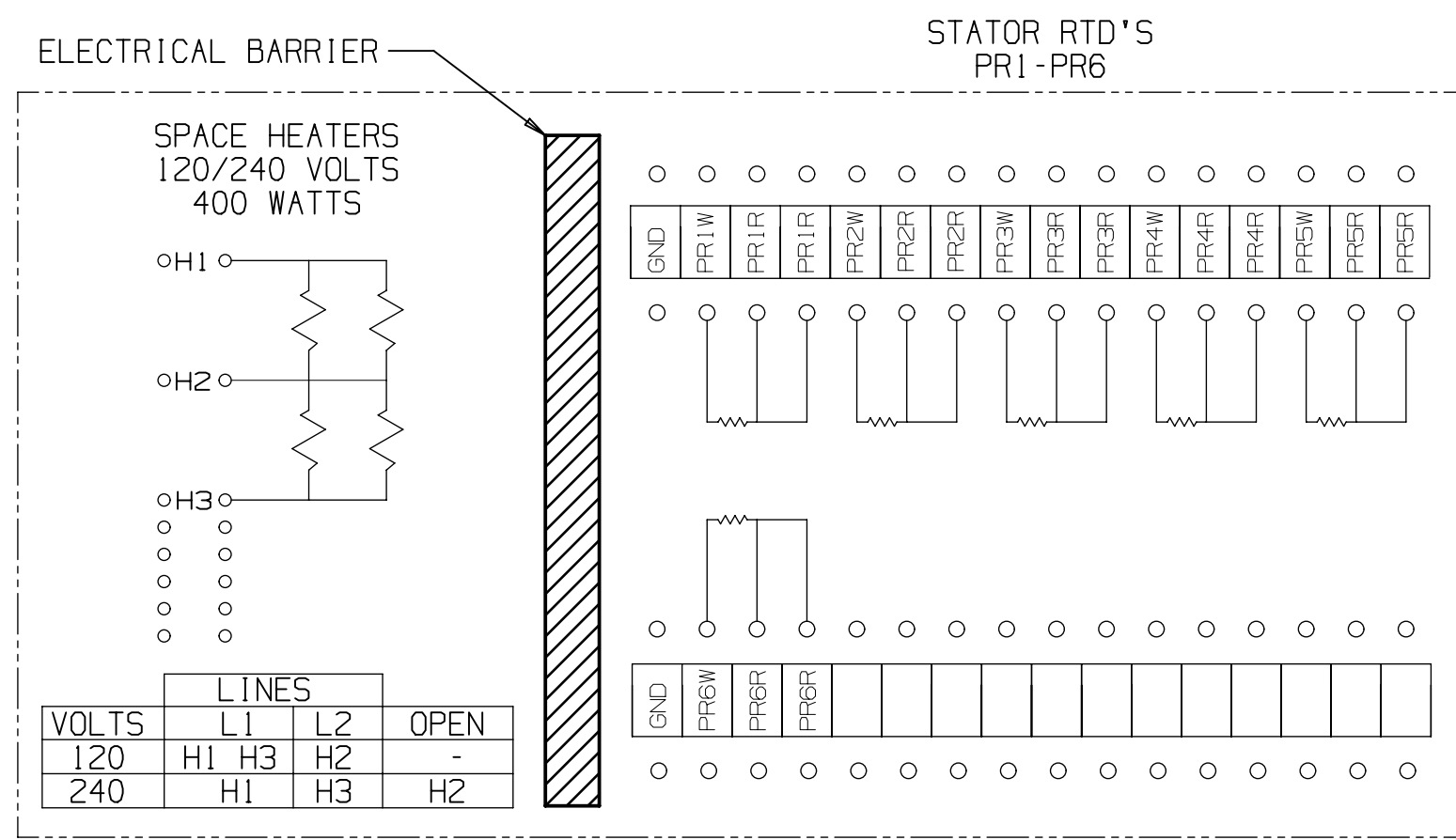
FOUNDATION LOADING			
LOADING CONDITIONS	LOADING PER SIDE		
STATIC :	3400	±	3400 lbs
RATED TORQUE :	3400	±	1853 lbs
LOCKED ROTOR TORQUE :	3400	±	1816 lbs
BREAK DOWN TORQUE :	3400	±	3762 lbs
SHORT CIRCUIT TORQUE :	3400	±	11806 lbs

RTD ALARM/SHUTDOWN DATA		
	ALARM	SHUTDOWN
STATOR	155 °C	170 °C

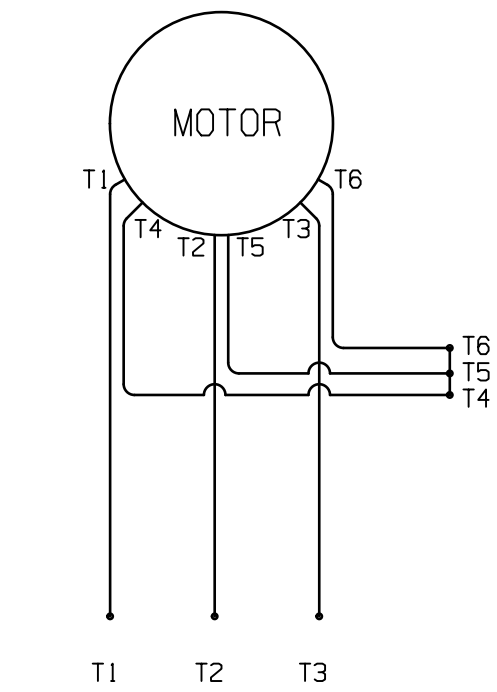
STATOR RTD
SLOT AND PHASE LOCATION

	SLOT	PHASE
PR1	1	A
PR2	17	B
PR3	33	C
PR4	49	A
PR5	65	B
PR6	9	C

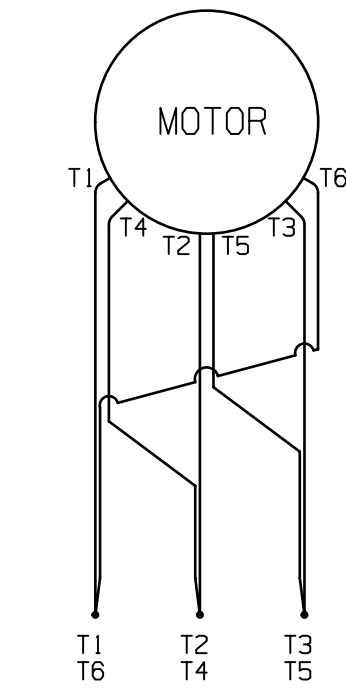
SLOT #1 IS IN 12 O'CLOCK POSITION. SLOTS COUNTED CLOCKWISE FACING CONN. END



TERMINAL BOARD ARRANGEMENT IN AUXILIARY BOX FOR SPACE HEATERS AND 100-OHM STATOR RTD'S



(HIGH VOLTAGE)
MOTOR CONNECTION
DIAGRAM



(LOW VOLTAGE)
MOTOR CONNECTION
DIAGRAM

SIEMENS CERTIFIED PRINT
CUSTOMER INITIATED CHANGES MAY AFFECT PRICE AND DELIVERY
PRODUCTION WILL PROCEED ON THE BASIS OF THIS DRAWING

CUSTOMER
EAST COAST ELECTRICAL

P.O.#
16746

S.O.#
3006914656-10

HP	RPM	FRAME	TYPE	VOLTS	PH
800	1200	5B10S	CG11	2300/4000	3 60

Reference: SIMILAR TO ASE3365884A

Surface: Author: Reiss

Material: Outline: 1RP2.HL5810.6.AF.F2.CW.C12

Weight: 0

Scale: 1/8" = 1'-0"

Created: 2017-12-19 Reiss

Approved: 2017-12-22 Dufau

Department: PD LD AP ME-NOW EN

Change Order: PSA00253935

Doc. State: Released

Revision: 001 Index: RS AA

Item No: A5E43789779A

Sheet: 2 of 2

CAD FORMAT REQUESTED: DWG DXF KAH

©SIEMENS INDUSTRY INC 2017