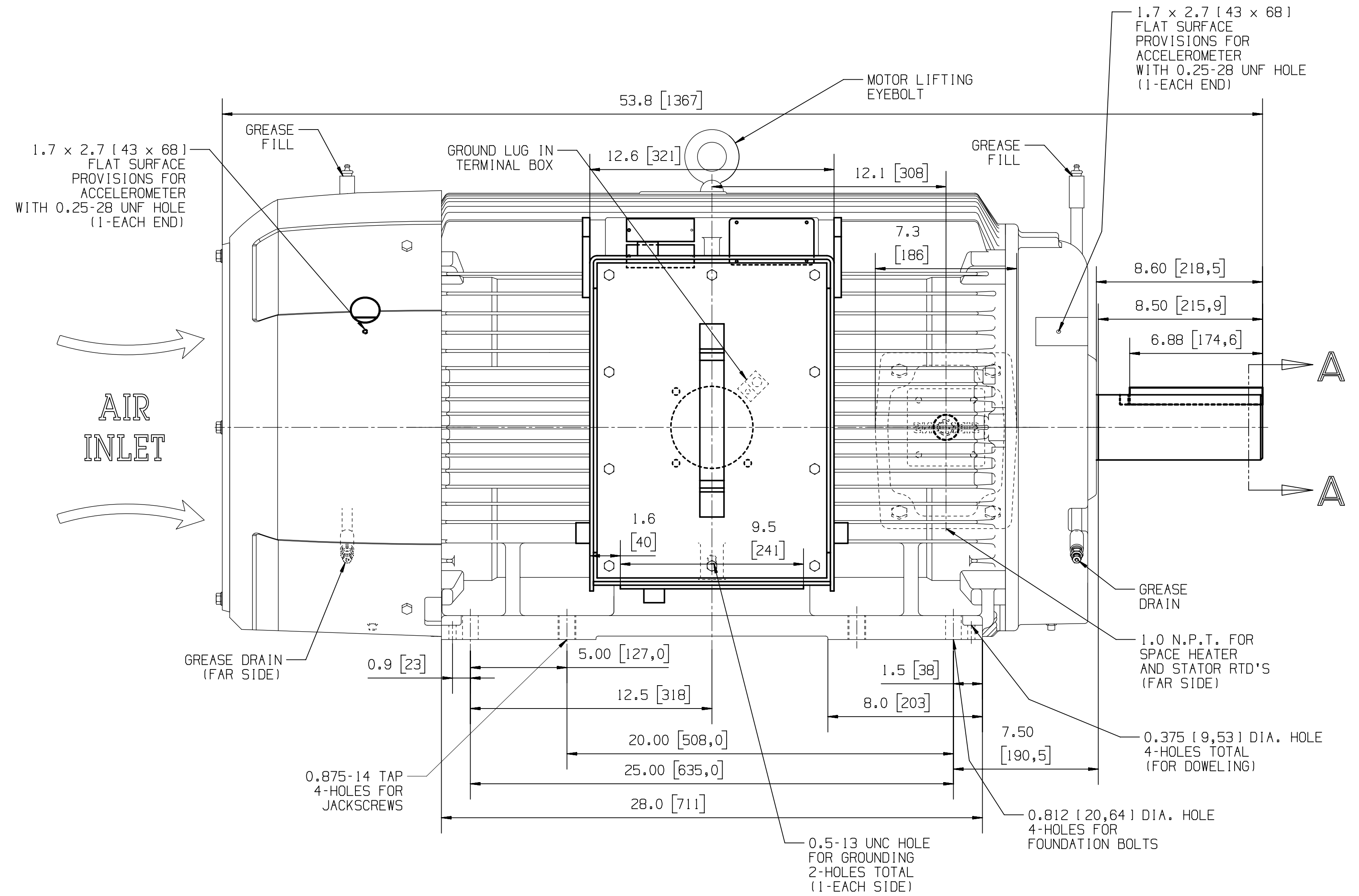
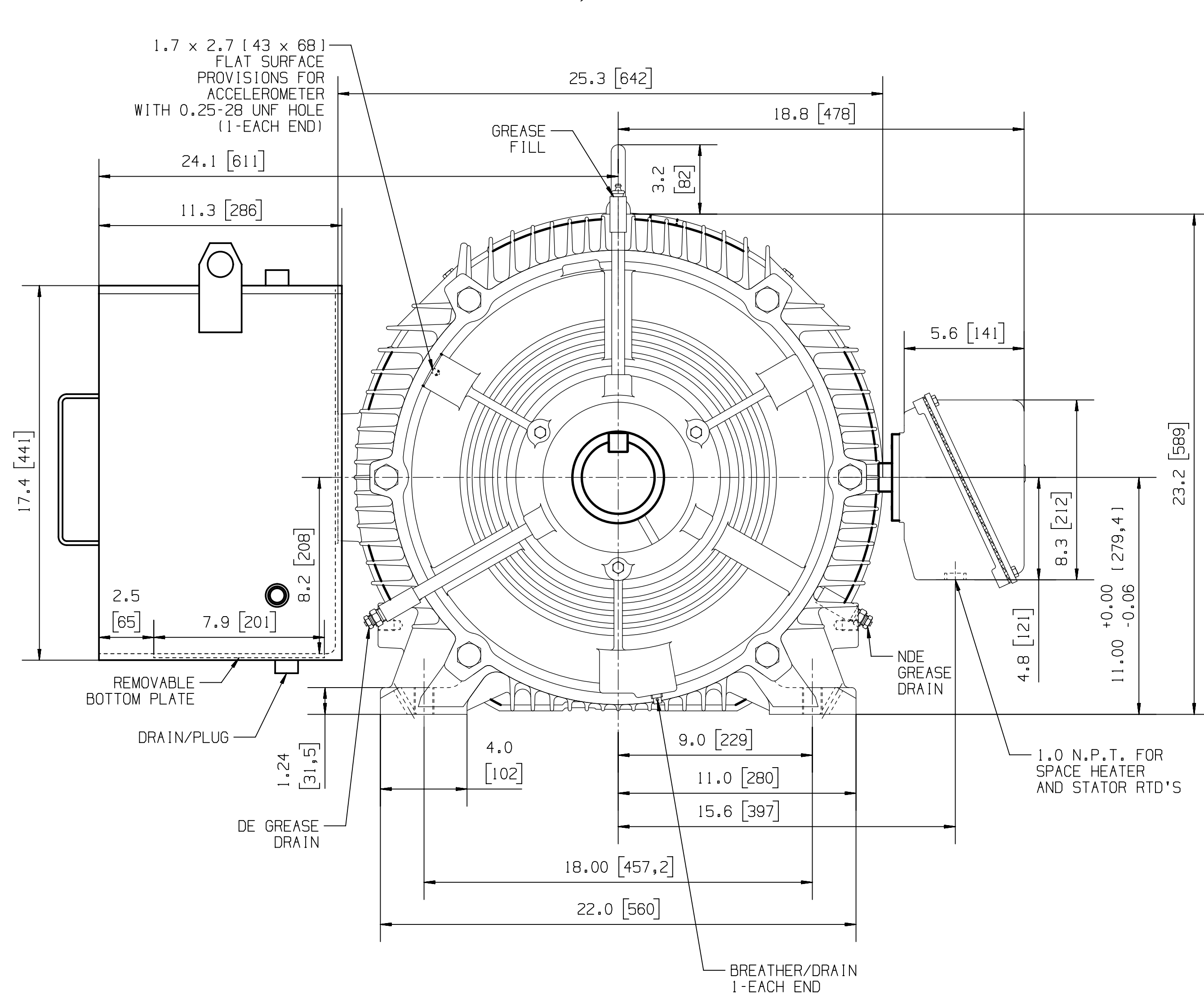
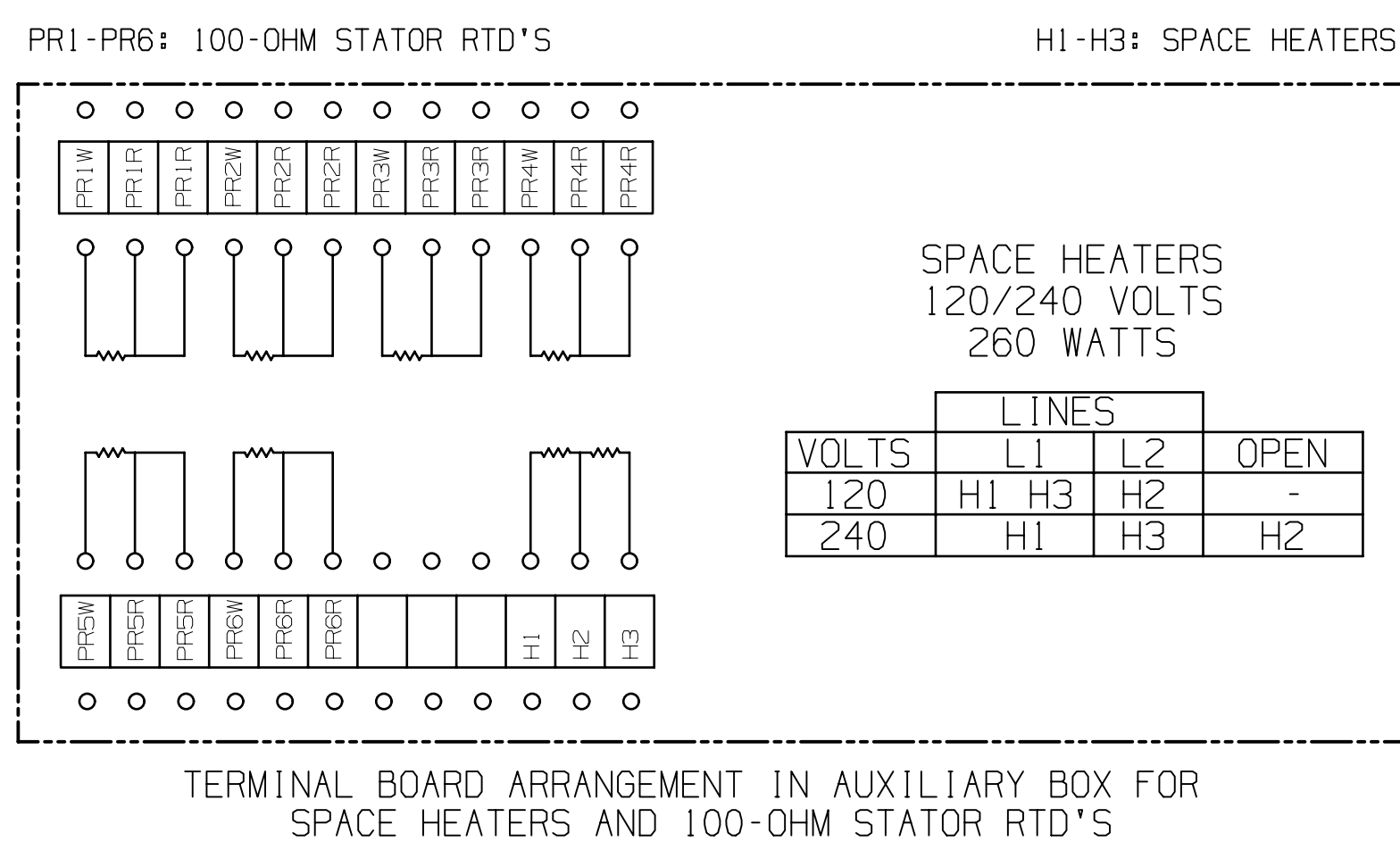
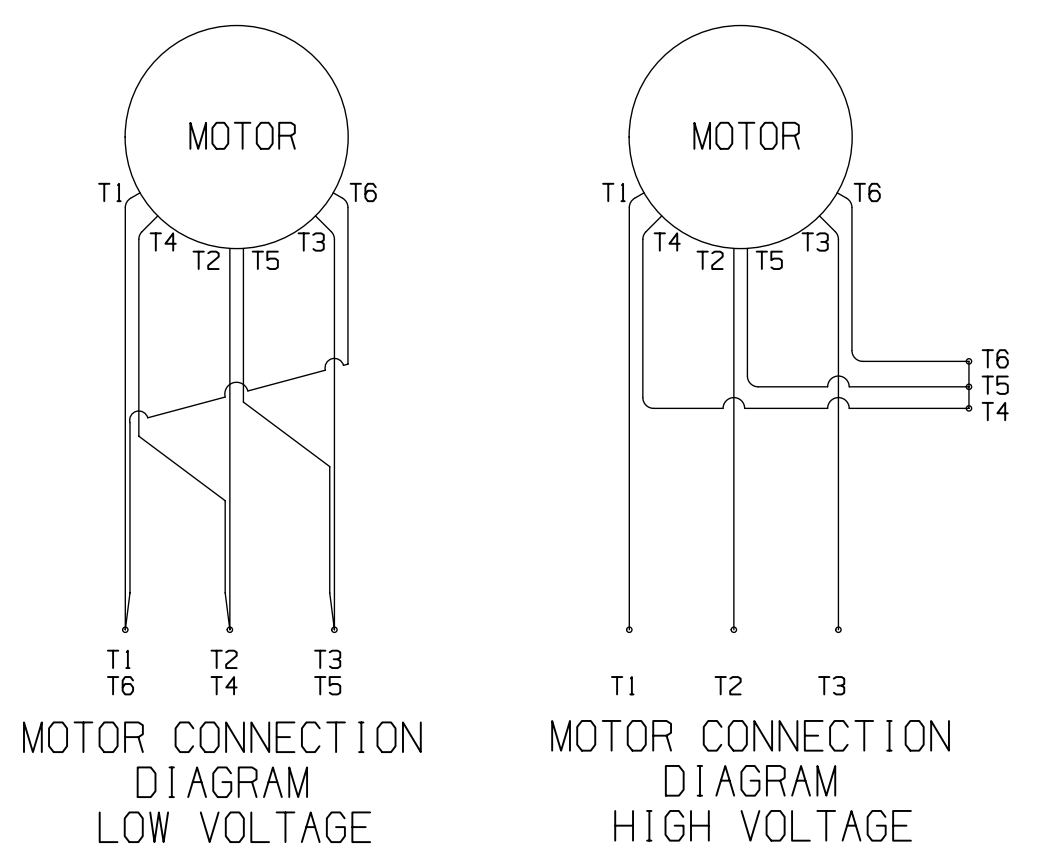
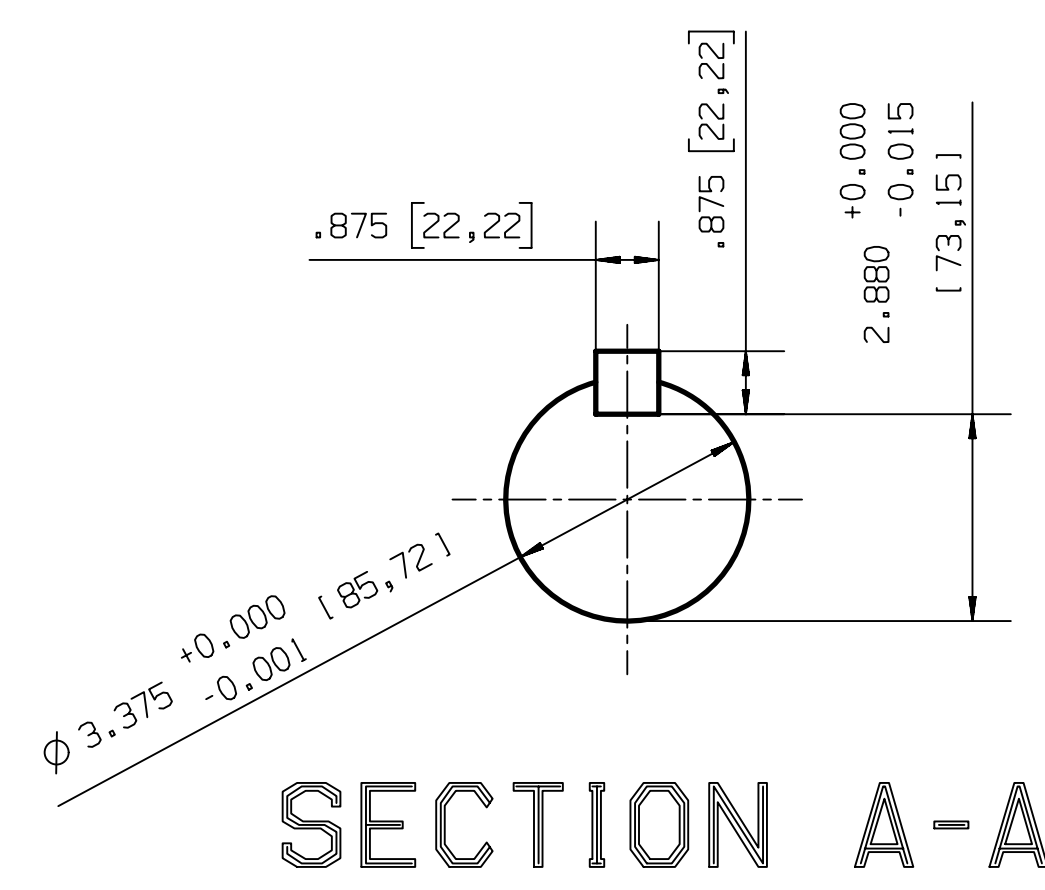


NOTES:

1. MAIN CONDUIT BOX MAY BE ROTATED IN STEPS OF 90°.
2. NON-DRIVE END BEARING IS INSULATED, INSULATE ANY CONNECTIONS TO THIS BEARING.
3. FOR RELUBRICATION OF BEARINGS, SEE LUBRICATION PLATE ON MOTOR.
4. FOR SAFETY PROCEDURES AND ALIGNMENT REQUIREMENTS, SEE INSTRUCTION MANUAL.



RTD ALARM/SHUTDOWN DATA		
	ALARM	SHUTDOWN
STATOR	155 °C	170 °C



SIEMENS CERTIFIED PRINT
CUSTOMER INITIATED CHANGES MAY AFFECT PRICE AND DELIVERY
PRODUCTION WILL PROCEED ON THE BASIS OF THIS DRAWING

FRAME	TYPE	VOLTS	PH	Hz
449T	TEFC	2300/4000	3	60

Author	Fortenboher	Product	MLB/Product-ID
Created	2017-09-12	Item No	ASE43014458A
Approved	2017-09-19 Stengel	Doc No	ASE43014458A
Department	NAM-FC-US1 DT LD APP OPS ENG	Doc Language	en
Change Order	PSA00205531	Doc Date	2017
Doc State	Released	Doc Size	TB / M8
Revision	001	Revision State	AA

SIEMENS AG 2017