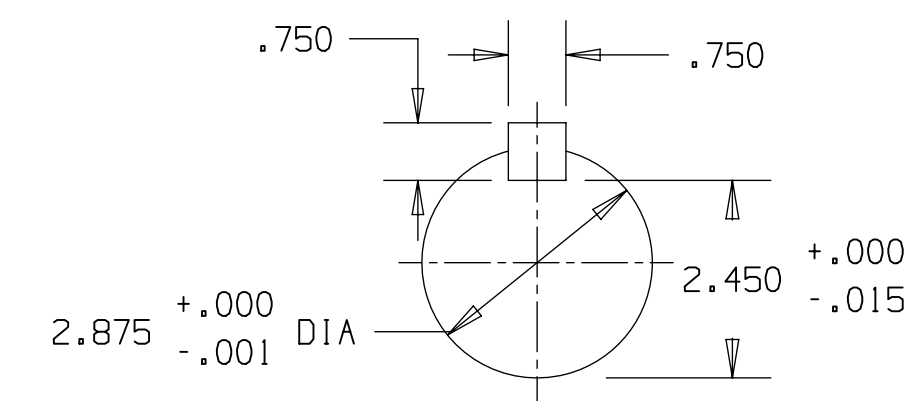
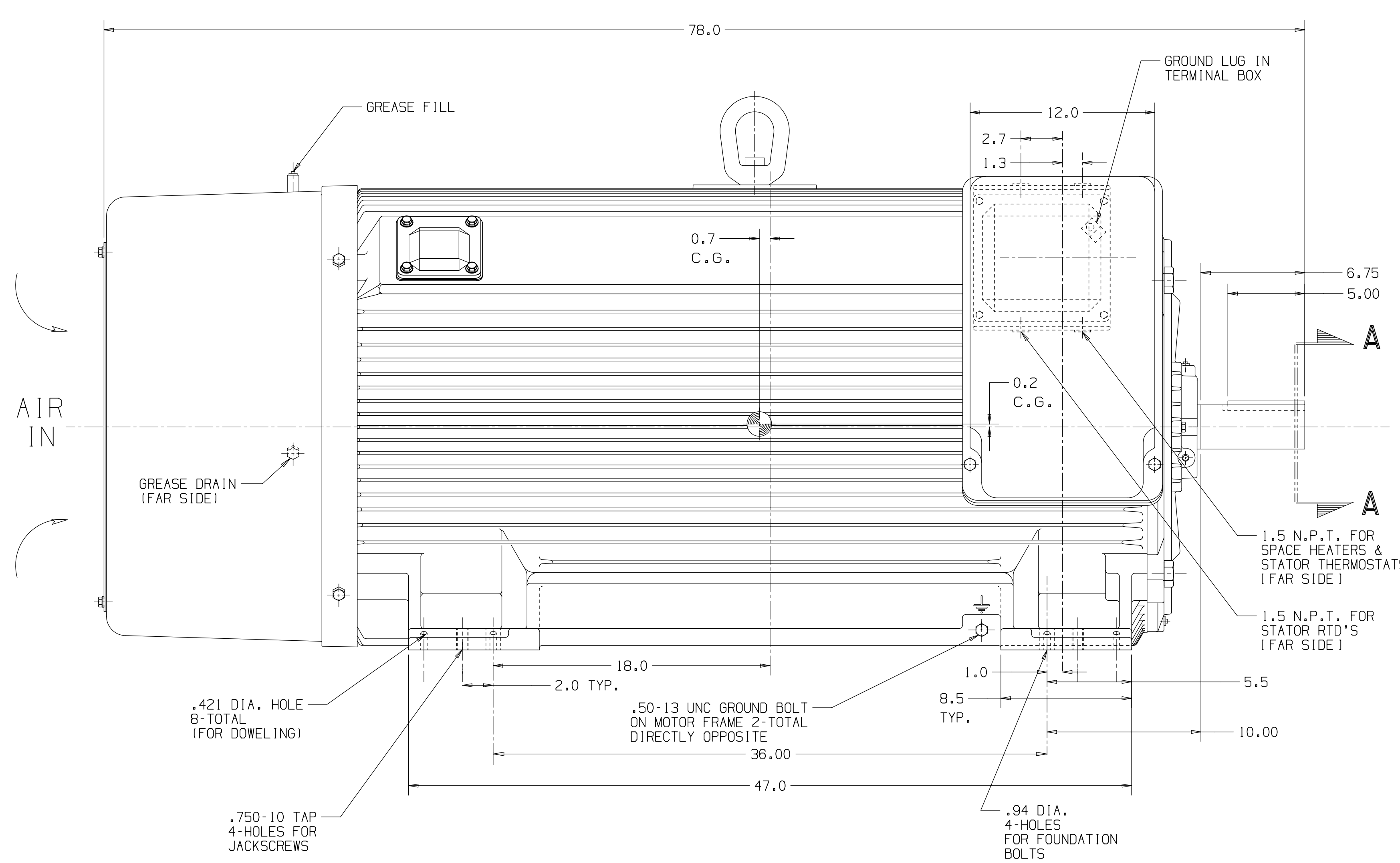
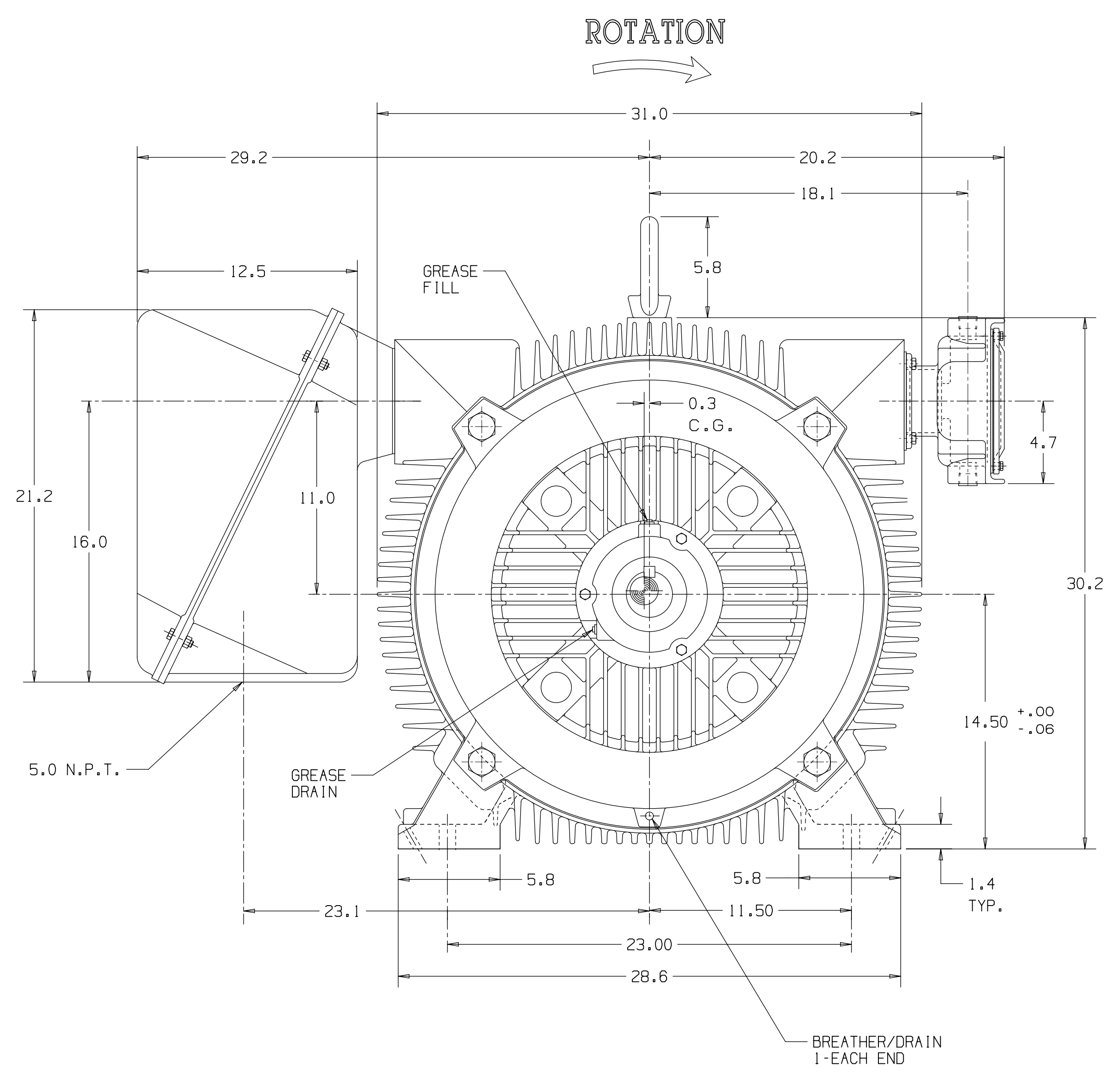


- NOTES:
1. MAIN CONDUIT BOX MAY BE ROTATED IN STEPS OF 90°.
 2. APPROX. WEIGHT OF MOTOR 6,350# APPROX. WEIGHT OF ROTOR 1,150#
 3. THIS MOTOR IS SUITABLE FOR DIRECT CONNECTION ONLY.
 4. THIS MOTOR IS SUITABLE FOR ROTATION IN ONE DIRECTION ONLY. SEE DIRECTION ARROW ON THIS DRAWING AND ON MACHINE. OPERATION IN WRONG DIRECTION CAN CAUSE MACHINE OVERHEATING.
 5. FOR RELUBRICATION OF BEARINGS, SEE LUBRICATION DATA PLATE ON MOTOR.
 6. BEARINGS SPECIFIED: DRIVE END: (75BC03J3) #6315
NON-DRIVE END: (75BC03J3) #6315
 7. SHIMS MAY BE NECESSARY UNDER MOTOR FEET FOR DIRECT CONNECTION.
 8. NON-DRIVE END BEARING IS INSULATED, INSULATE ANY CONNECTIONS TO THIS BEARING.
 9. THE NORMALLY CLOSED THERMOSTATS IN THIS MOTOR SHOULD BE CONNECTED TO CAUSE THE STARTER TO OPEN WHEN THEIR PRESET TEMPERATURE IS REACHED. THE CONTACT RATING IS 360 VA AT 120-600 VOLTS AC.
 10. FOR SAFETY PROCEDURES AND ALIGNMENT REQUIREMENTS SEE INSTRUCTION MANUAL.



SECTION A-A



SIEMENS CERTIFIED PRINT		CUSTOMER INITIATED CHANGES MAY AFFECT PRICE AND DELIVERY PRODUCTION WILL PROCEED ON THE BASIS OF THIS DRAWING	
CUSTOMER EAST COAST ELECTRICAL			
P.O.# 16711			
S.O.# 3006882843-10			
HP	RPM	FRAME	TYPE
700	3600	5810S	CZ
VOLTS		PH Hz	
2300/4000		3 60	
Reference	Surface	Material	Weight
0			0
Scale	1/8" = 1" (1:8)		

Author	Kellogg	Doc Title	TB / MB
Creator	2017-12-05 Kellogg	Item No.	
Approval	2017-12-06 Walsh	Sheet	1 of 2
Department	DPD 2097	Doc Language	en
Change Order	PSA00250599	Doc Language	de
Doc State	Released	Doc No.	ASE43666931A
Revision	001	Index	RS AA

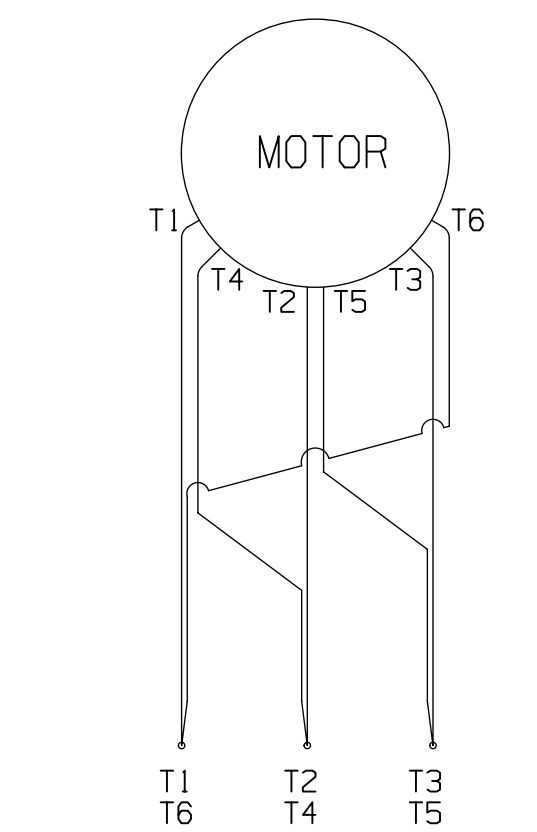
FOUNDATION LOADING			
LOADING CONDITIONS	LOADING PER SIDE		
STATIC:		3175	3175 lbs
RATED TORQUE:	3175 ±	536	lbs
LOCKED ROTOR TORQUE:	3175 ±	477	lbs
BREAK DOWN TORQUE:	3175 ±	1211	lbs
SHORT CIRCUIT TORQUE:	3175 ±	3100	lbs

RTD ALARM/SHUTDOWN DATA		
	ALARM	SHUTDOWN
STATOR	155°C	170°C

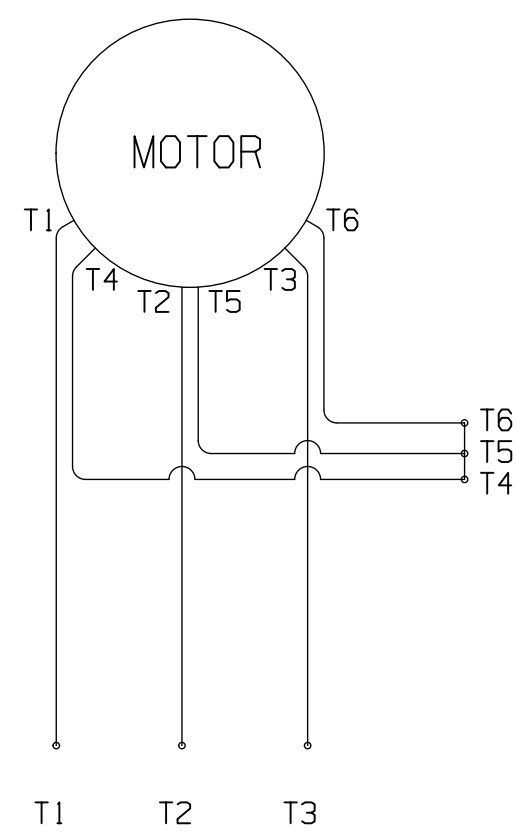
STATOR RTD
SLOT AND PHASE LOCATION

	SLOT	PHASE
PR1	1	A
PR2	9	B
PR3	17	C
PR4	25	A
PR5	33	B
PR6	41	C

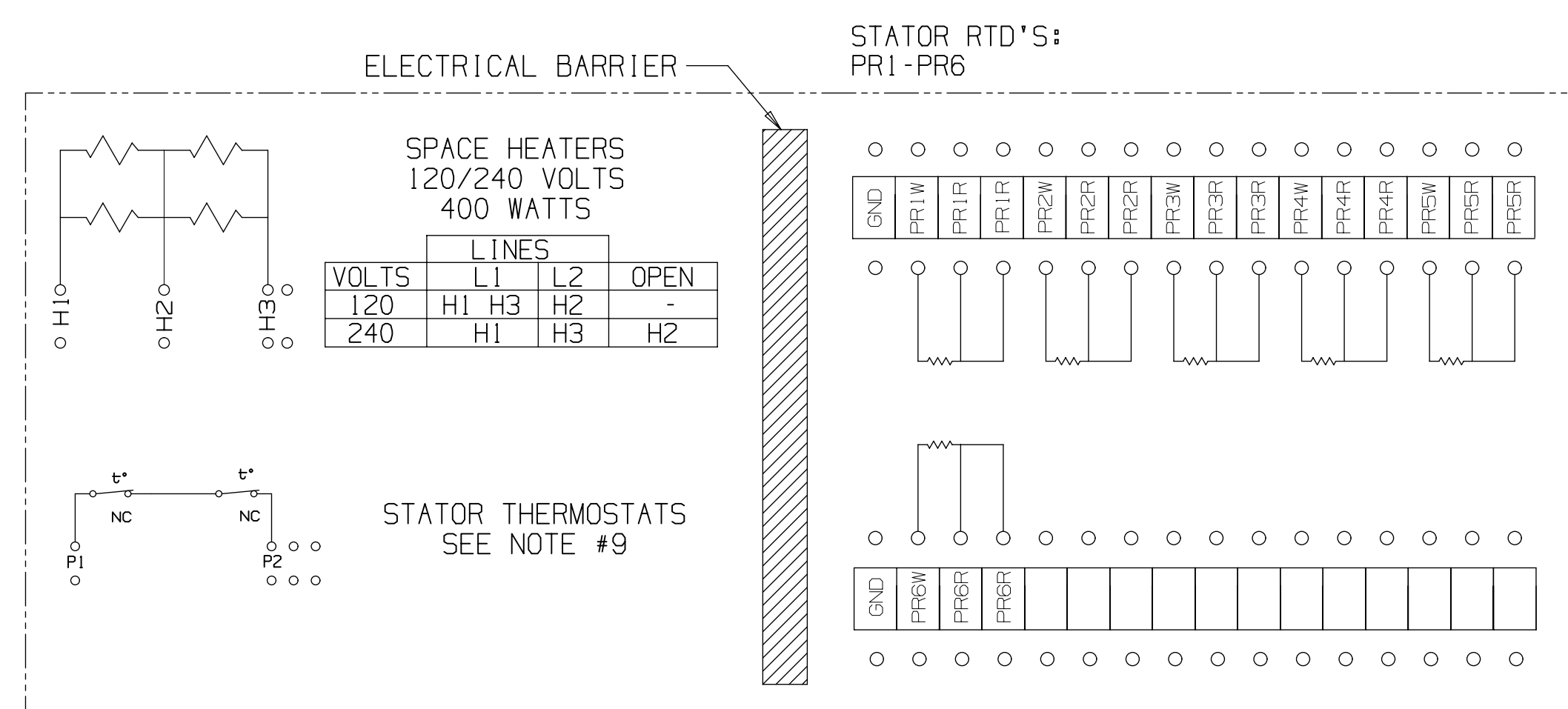
SLOT #1 IS IN 12 O'CLOCK POSITION. SLOTS COUNTED CLOCKWISE FACING CONN. END



MOTOR CONNECTION DIAGRAM LOW VOLTAGE



MOTOR CONNECTION DIAGRAM HIGH VOLTAGE



TERMINAL BOARD ARRANGEMENT IN AUXILIARY BOX FOR SPACE HEATERS, STATOR THERMOSTATS AND 100-OHM STATOR RTD'S

SIEMENS CERTIFIED PRINT
CUSTOMER INITIATED CHANGES MAY AFFECT PRICE AND DELIVERY
PRODUCTION WILL PROCEED ON THE BASIS OF THIS DRAWING

CUSTOMER
EAST COAST ELECTRICAL

P.O.#
16711

S.O.#
3006882843-10

HP	RPM	FRAME	TYPE	VOLTS	PH	Hz
700	3600	5810S	CZ	2300/4000	3	60

Reference: SIMILAR TO ASE38944622A

Surface: Author: Kelllogg
Created: 2017-12-05
Approved: 2017-12-06 Walsh
Department: DPO 2097
Change Order: PSA00250599
Doc. State: Released
Revision: 001

Material: OUTLINE_1LA2_H_5810_2_AF_F1_CW_C12
Product: MLTBProduct-ID
Item No: A5E43666931A
Paper Size: D
1st Language: en
2nd Language: de
Sheet: 2 of 2

Scale: 1/8" = 1'-0"

SIEMENS
©SIEMENS INDUSTRY INC 2014 - 2017

CAD FORMAT REQUESTED: DWG [X] DXF [] KAH